

Square Bonds & Test Link Box

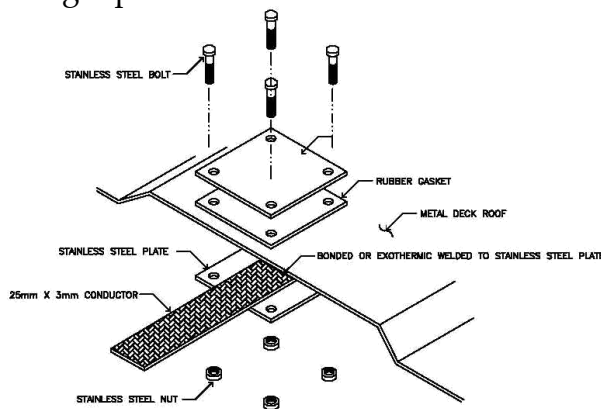
Stainless Steel Square Bond c/w Rubber Sleeve

Select the correct type of metalwork bond for the application
i.e. a flat column face or metal deck roofing

These jointing bonds and clamps will ensure a low resistance, corrosion resistance connection and suitable to use in corrosive atmosphere.

Maximum conductor size	Bolt size	Conductor Material	Part No.	Dimension (LxWxH)
25x3mm	M6 x 20mm	Copper / Aluminium	SB253SS	75 x 75 x 9mm

For bonding tape to steel structures.



Lightning Protection Test Link Box

The Test Link Box is easy to install and is commonly used for test points where conductors are embedded within the structure.

Part No.	Material	Dimension (LxWxH)
TLB125SHG	Stainless Steel Cover Plate c/w Hotdip Galvanised Test Link Box	125 x 125 x 50mm
TLB125CP	Stainless Steel Cover Plate for Test Link Box	125 x 125 x 50mm

